

## 06T SCREW COMPRESSOR SIGNIFICANCE CHART

0 6 T R C 0 3 3 B 2 E A - A 0 0

05T OPEN DRIVE TWIN SCREW COMPRESSOR  
06T SEMI HERMETIC TWIN SCREW COMPRESSOR

DESIGN VARIABLE  
A = AIR COOLED CONDENSING MEDIUM TEMP. REFRIG.  
W = BOOSTER APPLICATIONS  
R = LOW TEMP. REFRIGERATION VARIABLE VI

HORSEPOWER (NOMINAL)  
C = 15, D = 20, E = 25  
F = 30, G = 35, H = 40  
J = 45, K = 50, L = 55  
M = 60

CFM  
033, 039, 044, 048,  
054, 065, 078, 088,  
096, 108

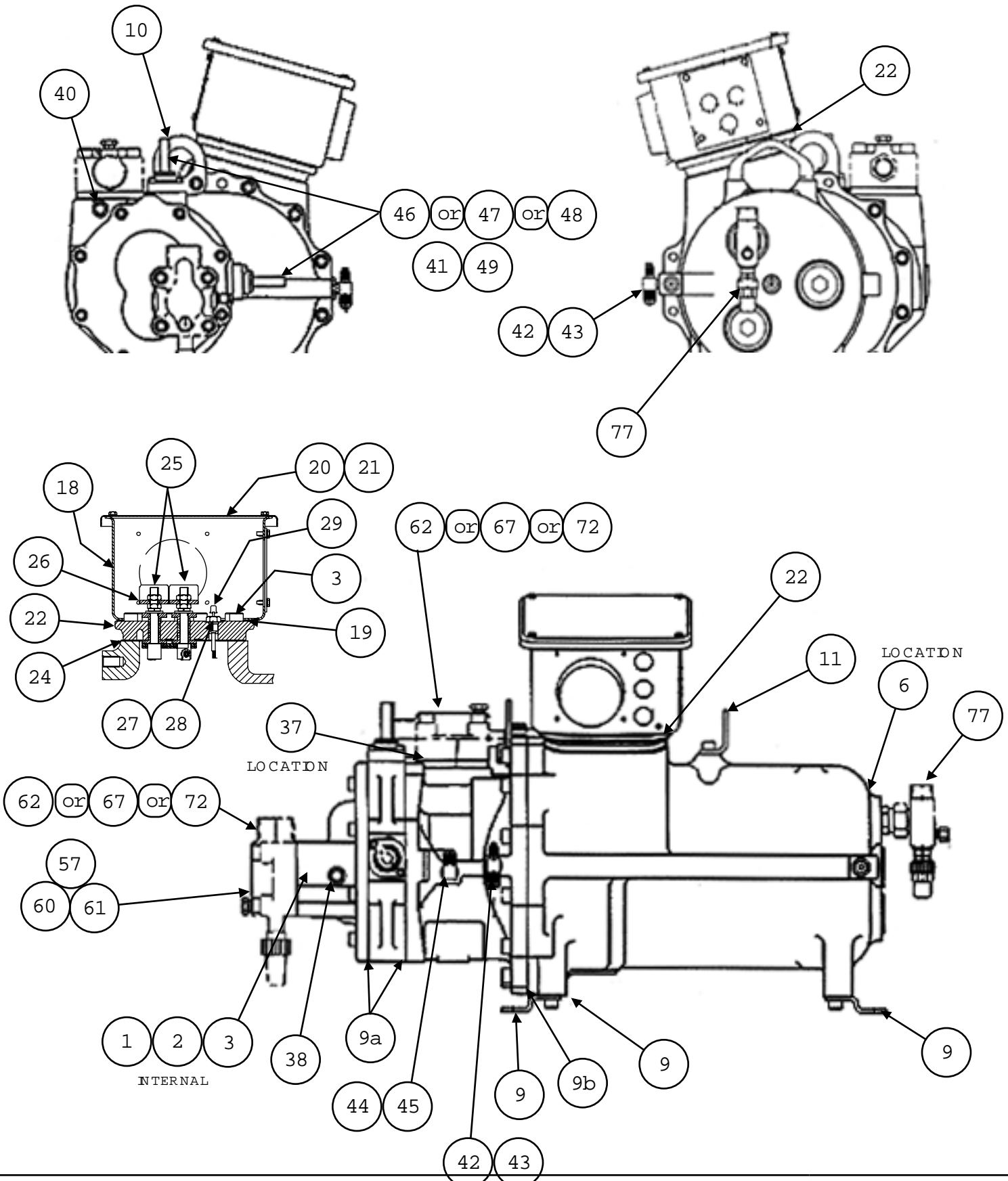
SPECIAL ORDER DESIGNATION  
A 0 0 = STANDARD OFFERING  
A 0 1 = 50HZ APPLICATIONS ONLY

PACKAGING VARIATIONS  
A = SINGLE PACK W/ SERVICE VALVES  
B = SINGLE PACK W/O SERVICE VALVES

INTERNAL USE ONLY

REFRIGERANT  
1 = R-134A  
2 = R-22, R-507, R-404a

POWER REQUIREMENTS  
A = NO MOTOR, LOW SPEED SEAL  
B = 460-3-60, 400-3-50  
C = 575-3-60, 500-3-50  
D = 230-3-50  
E = 400-3-60, 346-3-50  
F = 208-230-3-60, 200-3-50  
Z = NO MOTOR, HIGH SPEED SEAL



<b>COMPRESSOR MODEL</b>	<b>VOLTAGE &amp; PHASE</b>	<b>CIRCUIT BREAKER</b>
06TRC033B2EA-A00	460-3-60 & 400-3-50	HH83XA463
06TRC033F2EA-A00	230-3-60 & 200-3-50	HH83XB356 OR HH83XB626
06TRC033C2EA-A00	575-3-60	HH83XA460
06TRD039B2EA-A00	460-3-60 & 400-3-50	HH83XA424
06TRD039F2EA-A00	230-3-60 & 200-3-50	HH83XB336 OR HH83XB625
06TRD039C2EA-A00	575-3-60	HH83XA461
06TRD044B2EA-A00	460-3-60 & 400-3-50	HH83XA424
06TRD044F2EA-A00	230-3-60 & 200-3-50	HH83XB336 OR HH83XB625
06TRD044C2EA-A00	575-3-60	HH83XA461
06TRE048B2EA-A00	460-3-60 & 400-3-50	HH83XA426
06TRE048F2EA-A00	230-3-60 & 200-3-50	HH83XC509
06TRE048C2EA-A00	575-3-60	HH83XA469
06TRE054B2EA-A00	460-3-60 & 400-3-50	HH83XA426
06TRE054F2EA-A00	230-3-60 & 200-3-50	HH83XC509
06TRE054C2EA-A00	575-3-60	HH83XA469
06TRF065B2EA-A00	460-3-60 & 400-3-50	HH83XA474
06TRF065F2EA-A00	230-3-60 & 200-3-50	HH83XC573
06TRF065C2EA-A00	575-3-60	HH83XB617
06TRG078B2EA-A00	460-3-60 & 400-3-50	HH83XA475
06TRG078F2EA-A00	230-3-60 & 200-3-50	HH83XC574
06TRG078C2EA-A00	575-3-60	HH83XB618
06TRH088B2EA-A00	460-3-60 & 400-3-50	HH83XA476
06TRH088F2EA-A00	230-3-60 & 200-3-50	HH83XC575
06TRH088C2EA-A00	575-3-60	HH83XB619
06TRK108B2EA-A00	400-3-50	HH83XA477

COMPRESSOR MODEL	VOLTAGE & PHASE	CIRCUIT BREAKER
06TAD033B2EA-A00	460-3-60 & 400-3-50	HH83XA424
06TAD033F2EA-A00	230-3-60 & 200-3-50	HH83XB336 OR HH83XB625
06TAD033C2EA-A00	575-3-60	HH83XA461
06TAE039B2EA-A00	460-3-60 & 400-3-50	HH83XA426
06TAE039F2EA-A00	230-3-60 & 200-3-50	HH83XC509
06TAE039C2EA-A00	575-3-60	HH83XA469
06TAF044B2EA-A00	460-3-60 & 400-3-50	HH83XA478
06TAF044F2EA-A00	230-3-60 & 200-3-50	HH83XC539
06TAF044C2EA-A00	575-3-60	HH83XA430
06TAF048B2EA-A00	460-3-60 & 400-3-50	HH83XA478
06TAF048F2EA-A00	230-3-60 & 200-3-50	HH83XC539
06TAF048C2EA-A00	575-3-60	HH83XA430
06TAG054B2EA-A00	460-3-60 & 400-3-50	HH83XA547
06TAG054F2EA-A00	230-3-60 & 200-3-50	HH83XC532
06TAG054C2EA-A00	575-3-60	HH83XA453
06TAG065B2EA-A00	460-3-60 & 400-3-50	HH83XA475
06TAG065F2EA-A00	230-3-60 & 200-3-50	HH83XC574
06TAG065C2EA-A00	575-3-60	HH83XB618
06TAH078B2EA-A00	460-3-60 & 400-3-50	HH83XA476
06TAH078F2EA-A00	230-3-60 & 200-3-50	HH83XC575
06TAH078C2EA-A00	575-3-60	HH83XB619
06TAK088B2EA-A00	460-3-60 & 400-3-50	HH83XA477
06TAK088F2EA-A00	230-3-60 & 200-3-50	HH83XC576
06TAK088C2EA-A00	575-3-60	HH83XB610

**POWER TERMINAL PARTS CONNECTORS FOR HH83XB CIRCUIT BREAKERS**

PART NO.	USAGE
06EA660152	#1 - #2 WMRE
06EA660153	#4 WMRE

Model 06TA/TR.....

Description 74MM GEARED SCREW COMPRESSOR, ALL MODELS

Itm#	Qty	Rec	Part Number	Description
1	1	-	1TA0620C	CHECK VALVE,DISCHARGE
2	1	-	1TA0621B	DISCHARGE PLATE,CHECK VALVE
3	2	-	8TA0629B	SNAP RING,BEVELED (CHECK VALVE)
5	1	-	HK01CB001	SWITCH,LOW PRESSURE
6	1	-	8TA0253C	ECONOMIZER INLET SCREEN
7	1	-	0TA0631D	OIL MANIFOLD ASY (ORIGINAL DESIGN)
8	1	-	KH11HH066	STRAINER,INSERT (1.88 LG .195 DIA)
9	2	-	8TA0974C	FOOT,COMPRESSOR
9A	2	-	8TA0059C	O-RING
9B	1	-	8TA0089C	O-RING
10	1	-	1TA0385B	LIFTING BRACKET,COMPRESSOR END
11	1	-	05KA501023	LIFTING BRACKET,MOTOR END
12	4	-	8TA0115C	SCKT HD CAPSCREW,O/C SOL VALVE
13	12	-	8TA0123C	SCKT HD CAPSCREW,TERM PLATE
14	8	-	8TA0124C	SCKT HD CAPSCREW,O/CVR-R/C
15	2	-	8TA0224C	SCKT HD CAPSCREW,O/C-R/C
16	4	-	8TA0239C	SCKT HD CAPSCREW,MTG FT-M/C
17	22	-	8TA0465C	SCKT HD CAPSCREW,M/C-R/C,VALVE PAD
18	1	-	06EA504684	BOX,TERMINAL
19	1	-	06EA502553	GASKET,TERMINAL BOX
20	1	-	06EA502483	COVER,TERMINAL BOX
21	1	-	AK16AS126	SCREW,TERMINAL BOX COVER
22	1	-	06EA660051	TERMINAL PLATE ASSEMBLY
23	1	-	NOTSOLDSEPARATE	> TERMINAL PLATE
24	1	-	6G451082	> GASKET,TERMINAL PLATE
25	2	-	06EA500672	> BLOCK,INSULATOR
26	12	-	AT14QA241	> NUT,3/18-16 HEX. JAM
27	8	-	AU02AB171	> WASHER,PLAIN
28	4	-	AU51AS181	> WASHER,SPRING
29	4	-	HY95WP172	> NUT,TERMINAL
30	1	-	DD08SA052	ADAPTER FITTING(3.7")1/4 SAE X 1/4 NPT
31	1	-	KK71EW904	> O-RING,FITTING
32	1	-	DD08SA051	ADAPTER FITTING(1.3" LG) SAE X 1/4 NPT
33	1	-	KK71EW904	> O-RING,FITTING
34	1	-	DD17GA051	ADAPTER CROSS TEE (W/SCHRADER)
35	1	-	DE14CA126	COUPLING,ADAPTER CROSS TEE
36	1	-	KK71EW904	> O-RING,ADAPTER
37	1	-	06DA402133	SUCTION INLET SCREEN
38	1	-	0TB0889	FITTING,DISCHARGE ACCESS VALVE
39	1	-	KK71EW904	> O-RING,FITTING
40	1	-	0TB0889	FITTING,SUCTION ACCESS VALVE
41	1	-	KK71EW904	> O-RING,FITTING
42	1	-	2TA0481B	FITTING,OIL INLET (TEE)
43	1	-	KK71EW904	> O-RING,FITTING
44	1	-	2TA1004	FITTING,LIQUID INJECTION (ELBOW)
45	1	-	KK71EW904	> O-RING,FITTING
46A	1	-	06NA660011	COMPR UNLOADER SOLENOID PKG. (24V): includes: items 47 - 53a
46B	1	-	06NA660043	COMPR UNLOADER SOLENOID PKG. (120V): includes: items 47 - 53a
46C	1	-	06NA660044	COMPR UNLOADER SOLENOID PKG. (240V): includes: items 47 - 53a
46D	1	-	06NA660045	COMPR UNLOADER SOLENOID PKG. (24V DC): includes: items 47 - 53a
47	1	-	NOT.SOLD.SEPERATLY	> UNLOADER SOLENOID VALVE
48	3	-	8TB0279	> O-RING
49	2	-	8TB0675	> SOCKET HEAD CAP SCREW

Itm#	Qty	Rec	Part Number	Description
50	1	-	2TB1009	> GASKET,UNLOADER
51	1	-	EF19ZE024	> SOLENOID COIL,UNLOADER/VI (24V): Select for compressors built prior to January 2014 and with original valve installed.
51A	1	-	EF19ZZ001	> SOLENOID COIL,UNLOADER/VI (24V): Select for compressors built after December 2013.
52	1	-	EF19ZE120	> SOLENOID COIL,UNLOADER/VI (120V): Select for compressors built prior to January 2014 and with original valve installed.
52A	1	-	EF19ZZ002	> SOLENOID COIL,UNLOADER/VI (120V): Select for compressors built after December 2013.
53	1	-	EF19ZE240	> SOLENOID COIL,UNLOADER/VI (240V): Select for compressors built prior to January 2014 and with original valve installed.
53A	1	-	EF19ZZ003	> SOLENOID COIL,UNLOADER/VI (240V): Select for compressors built after December 2013.
55	1	-	HN76JZ015	OVERLOAD RELAY
56	1	-	HN76JZ022	OVERLOAD RELAY
57	1	-	06TA680008	BAR STOCK VALVE PKG.(1-5/8)(SUCTION/DISCH): Note: Used on 06T 65-88 cfm and larger.
58	1	-	06DA504153	> GASKET (4 BOLT) (2.50 SQ)
59	4	-	8TA0465C	> MOUNTING BOLYS(SST)
60	1	-	06TA680006	DISCHARGE FLANGE KIT: Note: May be used in place of std. disch. service valve on all comprs.
61	1	-	06DA504153	> GASKET (4 BOLT) (2.50 SQ)
62	1	-	06TA660001	SERVICE VALVE PKG(SUCTION/DISCH)(1 5/8): Note: Used on 06T compressors 33-54 cfm.
62A	1	-	06TA680009	SERVICE VALVE KIT(1 5/8)(SEE NOTE): Note: For use on 06T discharge where 06TA66001 failed prematurely.
63	1	-	NOTSOLDSEPARATE	> SERVICE VALVE
64	1	-	EN99ZA006	> > CAP,VALVE
65	1	-	6D681131	> GASKET,SERVICE VALVE
66	4	-	8TA0927B	> HEX HEAD CAP SCREW (METRIC)
67	1	-	06TA660002	SERVICE VALVE PKG(SUCTION/DISCH)(1 3/8): Note: Used on 06T compressors 33-54 cfm.
68	1	-	NOTSOLDSEPARATE	> SERVICE VALVE
69	1	-	EN99ZA006	> > CAP,VALVE
70	1	-	6D681131	> GASKET,SERVICE VALVE
71	4	-	8TA0927B	> HEX HEAD CAP SCREW (METRIC)
72	1	-	06TA660003	SERVICE VALVE PKG(SUCTION/DISCH)(1 1/8): Note: Used on 06T compressors 33-54 cfm.
73	1	-	NOTSOLDSEPARATE	> SERVICE VALVE
74	1	-	EN99ZA006	> > CAP,VALVE
75	1	-	6D681131	> GASKET,SERVICE VALVE
76	4	-	8TA0927B	> HEX HEAD CAP SCREW (METRIC)
77	1	-	06TA660004	ECONOMIZER SERVICE VALVE (7/8): Note: Used on all 06T for economizer connection.
78	1	-	NOTSOLDSEPARATE	> SHUTOFF VALVE (7/8 ROTOLock)
79	1	-	EN99RA360	> REDUCING COUPLING
80	1	-	EN99GA100	> SEAL GASKET
81	1	-	8TA0757B	> O-RING
82	1	-	EA022D001	DESUPERHEAT VLV 1 TON (190F)Y-1037
83	1	-	EA022D002	DESUPERHEAT VLV 1.5 TON (190F)Y-1037
84	1	-	EA022D030	DESUPERHEAT VLV 2 TON (190F)Y-1037
85	1	-	EA022D050	DESUPERHEAT VLV 3 TON (190F)Y-1037
86	1	-	EA022D100	DESUPERHEAT VLV 5 TON (190F)Y-1037
87	1	-	EF23ZZ025	OIL CONTROL SOLENOID W/SIGHTGLASS
88	1	-	LM10HH162	MUFFLER
89	1	-	HK06ZB006	OIL PRESS DIFFERENTIAL SWITCH
90	1	-	HK13LB004	OIL LEVEL SWITCH
90A	1	-	KK71EW916	> O-RING,OIL LEVEL SWITCH)
91	1	-	EF28BZ007	SOLENOID VALVE,MOTOR COOLING(DANFOSS)
92	1	-	018Z7613	SOL. VALVE COIL(24V)(FOR IT# 91)
93	1	-	018Z7611	SOL. VALVE COIL(208/240V)(FOR IT# 91)

Itm#	Qty	Rec	Part Number	Description
94	1	-	018Z7612	SOL. VALVE COIL(120V)(FOR IT# 91)
95	1	-	KH18MG002	OIL FILTER HOUSING
96	1	-	KK71EW143	O-RING,OIL FILTER HOUSING
97	1	-	KH39MG002	OIL FILTER CARTRIDGE (3 MICRONS)
98	1	-	HH79NZ065	THERMISTOR,DISCHARGE TEMP. (5K)
99	1	-	3TA0796B	MODULE (CEM) (1ST GENERATION)
100	1	-	0TA1063	MODULE KIT (CEM) (2ND GENERATION)
100A	1	-	NSS	> MODULE (2ND GENERATION)
100B	1	-	HH79NZ065	> THERMISTOR,DISCHARGE TEMP. (5K)
100C	1	-	DD08SA051	> ADAPTER FITTING,DISCHARGE
100D	1	-	DD08SA052	> ADAPTER FITTING,SUCTION
100E	1	-	DD17GA051	> ADAPTER,CROSS TEE
100F	1	-	HK05YZ003	> TRANSDUCER,LOW PRESSURE (SUCTION)
100G	1	-	HK05YZ002	> TRANSDUCER,HIGH PRESS.(DISCH & OIL)
100H	1	-	06TA680007	> HARNESS,TRANSDUCER
104	1	-	HK01CB002	REVERSE ROTATION SWITCH
105	1	-	06TA660007	MOUNTS,RUBBER
106	1	-	KH31ZZ340	OIL SEPERATOR (SINGLE COMPRESSOR): Note: 4th QTR 2012 these replacement oil separators were revised from using a "belly band" style oil heater to using a "insertion style" oil heater. If a new heater is required see items 109a, 109b and 109c to select proper heater required.
107	1	-	KH31ZZ212	OIL SEPERATOR (MULTIPLE COMPRESSORS): Note: 4th QTR 2012 these replacement oil separators were revised from using a "belly band" style oil heater to using a "insertion style" oil heater. If a new heater is required see items 109a, 109b and 109c to select proper heater required.
108	1	-	HK06CA051	DIFFERENTIAL SWITCH,OIL FILTER
109A	1	-	HT38KN007	HEATER,OIL SEPERATOR (BELLY BAND): Note: "belly band" style oil heater used for both 120v & 230v applic.
109B	1	-	HT31AZ121	HEATER,OIL SEPERATOR (INSERTION TYPE): Note: "insertion" style oil heater used for 120v applications.
109C	1	-	HT31AZ241	HEATER,OIL SEPERATOR (INSERTION TYPE): Note: "insertion" style oil heater used for 230v applications.
110	1	-	P903-1501	COMPRESSOR OIL (1 GAL.) (SEE NOTE!): NOTE: R-22 APPLICATIONS WITHOUT OIL COOLER REQUIRE POE 170 SOLEST OIL.
111	1	-	PH23QK016	PAINT,SPRAY