

## List of parts

Relevant drawing 0661-860

Pos	Designation	No	Part no
	Complete compressor LF, aut. Vi		4161-059
	Complete compressor LF, man. Vi		4161-060
	Complete compressor LM, aut. Vi		4161-061
	Complete compressor LM, man. Vi		4161-062
	Complete compressor SF, aut. Vi		4161-063
	Complete compressor SF, man. Vi		4161-064
	Complete compressor SM, aut. Vi		4161-065
	Complete compressor SM, man. Vi		4161-066
	<b>Compressor Housing</b>		
10-1	Compressor housing (L)	1	3011-009
10-2	Compressor housing (S)	1	3011-019
	<b>Bearing cover at suction end</b>		
20-1	Bearing cover, female drive	1	3013-089
20-2	Bearing cover, male drive	1	3013-110
21	O-ring dia. 430,66 x 3,53, neoprene	1	1331-117
22	Inner sleeve, INA IR dia. 17/20 x 16	2	1514-018
23	Washer dia. 25/16,5 x 4	4	2114-047
24	Threaded plug with collar 1/2"	1	1343-027
25	Dowty ring 025	1	1331-430
26	Cylindrical screw M16 x 60	10	1413-436
27	Cylindrical screw M16 x 90	2	1413-429
28	Cylindrical screw M16 x 180	8	1413-428
30	Hose connection	1	1345-143
	<b>Bearing cover at discharge end</b>		
40	Thrus cover/capacity regulating cylinder	1	3013-150
41	Cylinder screw M16 x 60	20	1413-436
42	Washer dia. 25/16,5 x 4	4	2114-047
43	O-ring dia. 151,99 x 3,53, neoprene	1	1331-099

0661-861 Rev.2002-05-15.fm

Pos	Designation	No	Part no
44	Adjusting screw	2	2111-128
45	Locking screw M6 x 10	4	1413-231
46	Cross bar for bearing adjustment	1	3083-137
47	Cylinder screw M12 x 30	6	1413-386
48	Inner sleeve, INA IR dia 17/20 x 16	2	1514-018
49	O-ring dia. 13,94 x 2,62SAB202	1	1331-014
	<b>Cover for capacity regulating cylinder</b>		
60	Cover for capacity cylinder	1	3013-206
61	O-ring dia. 142,47 x 3,53 - neoprene	1	1331-096
62	Cylinder screw M12 x 35	4	1413-387
63	Cylinder Screw M6x25	2	1413-342
64	Dowty-ring	1	1331-427
	<b>Rotors</b>		
110-1	Set of rotors for SM	1	3024-311
110-2	Set of rotors for SF	1	3024-308
110-3	Set of rotors for LM	1	3024-314
110-4	Set of rotors for LF	1	3024-305
111	Journal bearing	4	1515-031
112	Retaining pin for journal bearing dia. 5 x 45	4	1446-033
113	Cylinder screw M6 x 16	8	1413-340
114	Thrust washer	2	3021-029
115	Cylinder screw M16 x 45	2	1413-433
132	Four point ball bearing dia. 70/150 x 35	2	1513-040
133	Set of shims dia. 128/150 for adjusting the clearance between the rotor and outlet port.Comprising: <div style="margin-left: 100px;"> 1 of 5,60 mm  1 of 5,65 mm  1 of 5,70 mm  1 of 5,75 mm  1 of 5,80 mm  1 of 5,85 mm  1 of 5,90 mm </div>	2	3021-043
135	Spacer ring, drive rotor	1	3025-035

Pos	Designation	No	Part no
136	Retaining ring 4 x 10	1	1446-012
137	Balance piston, driven rotor	1	3025-034
138	Spacer ring, driven rotor	1	3025-036
139	Retaining pin 5 x 16	1	1446-021
	<b>Discharge ports</b>		
140-1	Discharge port for male rotor (normal Vi 4.5)	1	3031-031
141-1	Discharge port for female rotor (normal Vi 4.5)	1	3031-032
140-2	Discharge port for male rotor (AC application Vi 3.0)	1	3031-054
141-2	Discharge port for female rotor (AC application Vi 3.0)	1	3031-053
142	Cylinder screw M8 x 190	6	1413-309
143	Washer for discharge port dia. 16,5 /8,2 x 10	6	2114-045
145	Pointed screw M10 x 35 - inside adjustment	2	1413-255
146	Locking screw M10 x 10 - inside adjustment	2	1413-253
147	Locking screw M10 x 10 - outside adjustment	2	1413-253
148	Pointed screw M10 x 20 - outside adjustment	2	1413-032
149A	Blank of screw 3/8" - outside adjustment	2	1343-026
149B	Gasket - outside adjustment	2	1331-427
	<b>Parts for adjusting rotors</b>		
153	Inner cover	2	3021-030
154	O-ring dia. 142,47 x 3,53	2	1331-096
155	Cylindrical steel roll 8H 11 x 8	2	1514-019
	<b>Internal Shaft seal</b>		
156A-1	Shaft Seal Cover SM/LM	1	3013-330
156A-2	Shaft Seal Cover SF/LF	1	3013-329
156B	Balance Piston	1	3025-052
156C	Slide Ring	1	3025-060
156D	Sealing Ring	1	1332-078
156E-1	Retaining Ring for 156D SM/LM	1	3013-335
156E-2	Retaining Ring for 156D SF/LF	1	3013-331
156F	O-ring 88.49 x 3.53	1	1331-079

Pos	Designation	No	Part no
156G	O-ring 107.54 X 3.53	1	1331-085
156H	O-ring 142.47 X 3.53	1	1331-096
156I	Countersunk screw	4	1413-090
156K	Cylinder screw	2	1413-041
	<b>Shaft seal</b>		
160A	Shaft seal collar	1	1332-176
160B	Shaft seal seat		
160C	O-ring for shaft seal collar		
160D	O-ring for shaft seal seat		
160E	Pointed screw		
161	Retaining pin for shaft seal seat dia. 3 x 5	1	1446-005
162	Spirolox ring (oil thrower)	1	1437-294
163-1	Cover, F	1	3013-100
163-2	Cover, M	1	3013-102
164	O-ring dia. 132,94 x 3,53, neoprene	1	1331-093
166	O-ring dia. 158,34 x 3,53	1	1331-100
167	Cylinder screw M12 x 35	8	1413-387
168	Hose connection branch 1/4"	1	1345-143
169	Clear plastic hose	1	1241-190
	<b>Suction filter</b>		
170	Suction filter	1	3042-075
	<b>Adjusting system for Vi-slide, MAN</b>		
180	Spindle man. Vi	1	3044-052
181	Cover for man. Vi	1	3013-098
182	Sealing washer for slide stop	1	3044-014
183	Sealing ring	1	1331-503
184	O-ring dia. 44,04 x 3,53, neoprene	1	1331-065
185	Retainer for bearings	1	3044-038
186	Axial ball bearing dia. 42/25 x 11	2	1512-015
187	Locking plate	1	2114-043
188	Cylinder screw M6 x 12	1	1413-339

Pos	Designation	No	Part no
189	Thread washer	1	3044-073
195	Cylinder screw M4 x 30	2	1413-325
196	Cylinder screw M6 x 35	3	1413-344
197	O-ring dia. 101,19 x 3,53	1	1331-083
198	Cylinder screw M12 x 35	4	1413-387
	<b>Vi-slide</b>		
190-1	Slide stop, S	1	3043-259
190-2	Slide stop, L	1	3043-258
191-1	Spring for Vi-slide, L	1	2144-042
191-2	Spring for Vi-slide, S	1	2144-043
192	Cylinder screw M10 x 25	1	1413-371
	<b>Capacity regulating slide</b>		
200-1	Slide for L	1	3043-113
200-2	Slide for S	1	3043-125
201	Piston part inner	1	3043-138
202	Piston part outer	1	3043-139
203	O-ring dia. 40,87 x 3,53, neoprene	1	1331-064
204	Sealing ring dia. 150	1	1332-133
206	Slotted nut KM8	1	1514-200
207A-1	Piston rod for L	1	3043-256
207A-2	Piston rod for S	1	3043-257
207C	Cylindrical pin dia. 6 x 16 - Included in pos. 207A	1	1445-076
207D	Spirolox-ring - Included in pos. 207A	1	1437-291
207E	Steel ball 3/8" - Included in pos. 207A	1	1514-158
208	Locking plate for slotted nut	1	1514-070
209	Tape bearing	2	2132-100
210	Pointed screw M6 x 10	2	1413-231
311	Cap screw M20 x 60	1	1424-289
312	Clamp	1	3042-054
	<b>Non return valve</b>		

Pos	Designation	No	Part no
	Non return valve complet		3042-122
252	O-ring dia. 253,37 x 5,33, neoprene	1	1331-181
253	Intermediate flange	1	3013-288
255	Valve housing	1	3042-127
256	Spindle guide	1	3042-125
257	Retainer	1	3042-126
258	Hexagon head screw M8 x 120	3	1413-314
259	Valve cone	1	3042-123
260	Spindle	1	3042-124
261	Spring	1	1523-033
262	Tape bearing dim 10 x 1 x 46	1	2132-114
263	Tape bearing dim 10 x 1 x 105	1	2132-096
264	Hexagon head screw M16 x 75	8	1424-108
265	Countersunk socket cop. screw M12 x 25	1	1413-115
266	Hexagon head screw M12 x 30	2	1413-386
267	Shaft nut KM9 - M45	1	1514-201
268	Seeger ring dia. 14 x 1,0, DIN 471	1	1437-207
	<b>Oil injection</b>		
316	V-joint 22-RL	1	1349-153
317	Check valve RVS	1	1364-163
318	O-ring dia. 33,05 x 1,78	1	1331-123
319	Valve seat	1	3042-077
	<b>External oil piping</b>		
320-1	Pipe set (L)	1	3049-026
320-2	Pipe set (S)	1	3049-029
321	Pipe clamp dia. 3 x 12	1	2532-012
	<b>Capacity indication</b>		
350-1	Position transmitter SA96DX, L	1	1373-295
350-2	Position transmitter SA96DX, S	1	1373-296
356	Alu. pipe 320 mm	1	116-037

Pos	Designation	No	Part no
	<b>Adjusting system for Vi-slide, AUT</b>		
371	Sealing ring OD 70 mm	1	1332-126
372	Retainer for Alu.pipe	1	3045-070
380	Cover for Slide Stop	1	3013-435
381	O-ring dia. 101,19 x 3,53, neoprene	1	1331-083
382	Cylinder screw M12 x 35	4	1413-387
384	Attachment for sealing ring	1	3044-034
385	Cylinder screw M4 x 16	2	1413-320
387	Cylinder screw M6 x 12	1	1413-339
410-1	Transmitter SA96DX, S	1	1373-301
410-2	Transmitter SA96DX, L	1	1373-297
411	Dowty ring	1	1331-433
412	Cylinder screw M6 x 30	2	1413-343
416	Alu.pipe 143 mm	1	1116-039
	<b>Oil filter</b>		
450	Oil filter cover	1	3041-008
452	O-ring dia. 132,94 x 3,53, neoprene	1	1331-093
453	O-ring dia. 101,19 x 3,53, neoprene	1	1331-083
455	Lock nut M10	1	1433-080
456	Cylinder screw M12 x 35	4	1413-387
458	Stay bolt for magnet	1	2111-127
459	Magnets for oil filter	4	1517-022
460	Intermediate ring	4	3424-039
461	Rubber ring	2	1334-012
462	Plug 1/4"	2	1343-025
463	Dowty ring dia. 20,57 x 13,74	2	1331-428
470	Oil filter cartridge	1	1517-015
475	O-ring dia. 63,9 x 3,53	1	1331-071
476	Cylinder screw M12 x 30	4	1413-386
	<b>Oil flow switch</b>		

Pos	Designation	No	Part no
500	Terminal box	1	1554-001
501	Cover for flow switch	1	3041-004
502	O-ring dia. 132,94 x 3,53, neoprene	1	1331-093
506	Dowty ring	1	1331-433
507	Flow switch with float UNS1000	1	1553-262
512	Cylinder screw M12 x 35	4	1413-387
	<b>Plugging</b>		
520	Plug 1/2"	1	1343-027
521	Dowty ring 025	1	1331-430
525	Plug 3/4"	1	1343-028
526	Dowty ring 027	1	1331-433
530	Plug 1/4"	1	1343-025
531	Gasket ring 19/14 x 1,5	1	2356-124
	<b>Economizer inlet</b>		
600	Eco-plug	1	3013-111
601	Cylinder screw M12 x 30	4	1413-386
602	Cylinder screw M8 x 30	2	1413-358
603	O-ring dia. 53,57 x 3,53, neoprene	1	1331-068
	<b>Relief valve</b>		
700-1	Back pressure independent valve, BSV 8-18 bar	1	2416-202
700-2	Back pressure independent valve, BSV 8-22 bar	1	2416-224
	<b>Pilot operated valve</b>		
701-A	Connection line for POV 50	1	3049-032
701-B	Connection line for POV 80	1	3049-033
702-A	Cylinder screw M12 x 25	4	1413-385
702-B	Cylinder screw M12 x 30	4	1413-386
703-A	O-ring dia. 63,09 x 3,53	1	1331-071
703-B	O-ring dia. 88,49 x 3,53	1	1331-079
704-A	Pilot operated valve, POV 50 (for R717)	1	2417-046
704-B	Pilot operated valve, POV 80 (for R22 and HCF's)	1	2417-058

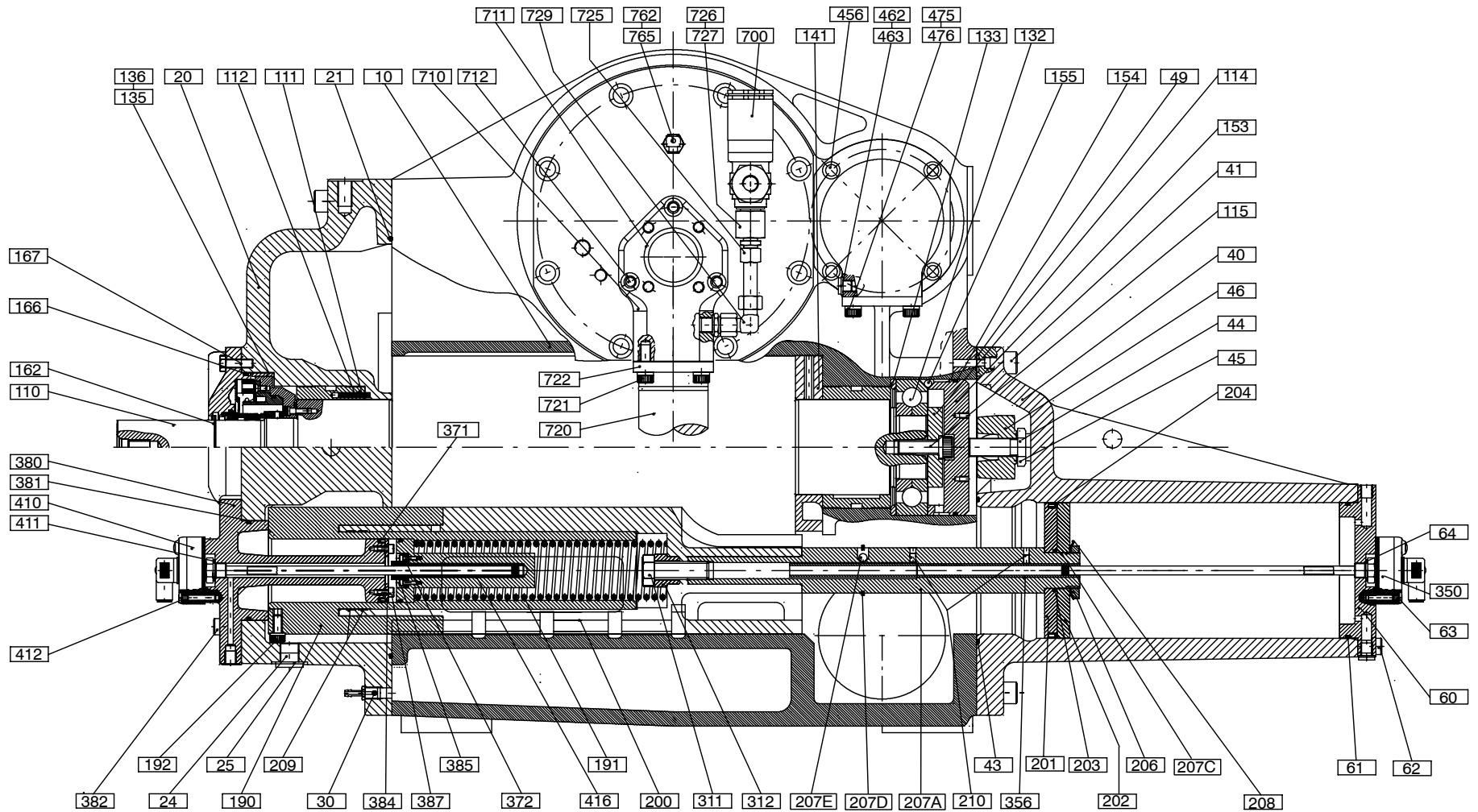


Pos	Designation	No	Part no
	<b>Cover for main valve</b>		
705-A	Cover for POV 50	1	3013-126
705-B	Cover for POV 80	1	3013-163
706	Cylinder screw M16 x 40	8	1413-432
707	O-ring dia. 253,37 x 5,33	1	1331-181
	<b>Connection between compr. discharge side and suction side</b>		
710-A	Manifold for POV 50	1	3013-124
710-B	Manifold for POV 80	1	3013-167
711-A	O-ring dia. 85,32 x 3,53 POV 50	1	1331-078
711-B	O-ring dia. 88,49 x 3,53 POV 80	1	1331-079
712-A	Cylinder screw M12 x 110 POV 50	3	1413-406
712-B	Cylinder screw M12 x 30 POV 80	4	1413-386
715-A	Cover POV 50	1	3013-125
716	Cylinder screw M16 x 40	4	1413-432
717	O-ring dia. 164,69 x 3,53	1	1331-101
720-A	Pipe connection for POV 50	1	3014-002
720-B	Pipe connection for POV 80	1	3013-166
721-A	Cylinder screw M12 x 30 POV 50	8	1413-386
721-B	Cylinder screw M12 x 40 POV 80	4	1413-388
722-A	O-ring dia. 75,79 x 3,53 POV 50	2	1331-075
722-B	O-ring dia. 88,49 x 3,53 POV 80	1	1413-432
	<b>Relief valve connections</b>		
725	Stud coupling A-12 RL	1	1349-053
726	Al-gasket dia. 24/13 x 1,5	1	2356-127
727	Reducer G3/4 - G3/8	1	2312-038
729	Elbow coupling VB 12-RL	1	1349-210
730	Union nut G1	1	2313-017
731	Threaded nipple G3/8	1	2311-065
732	Al-gasket dia. 30/16 x 1,5	1	2356-137
733	Dowty ring 023	1	1331-427

---

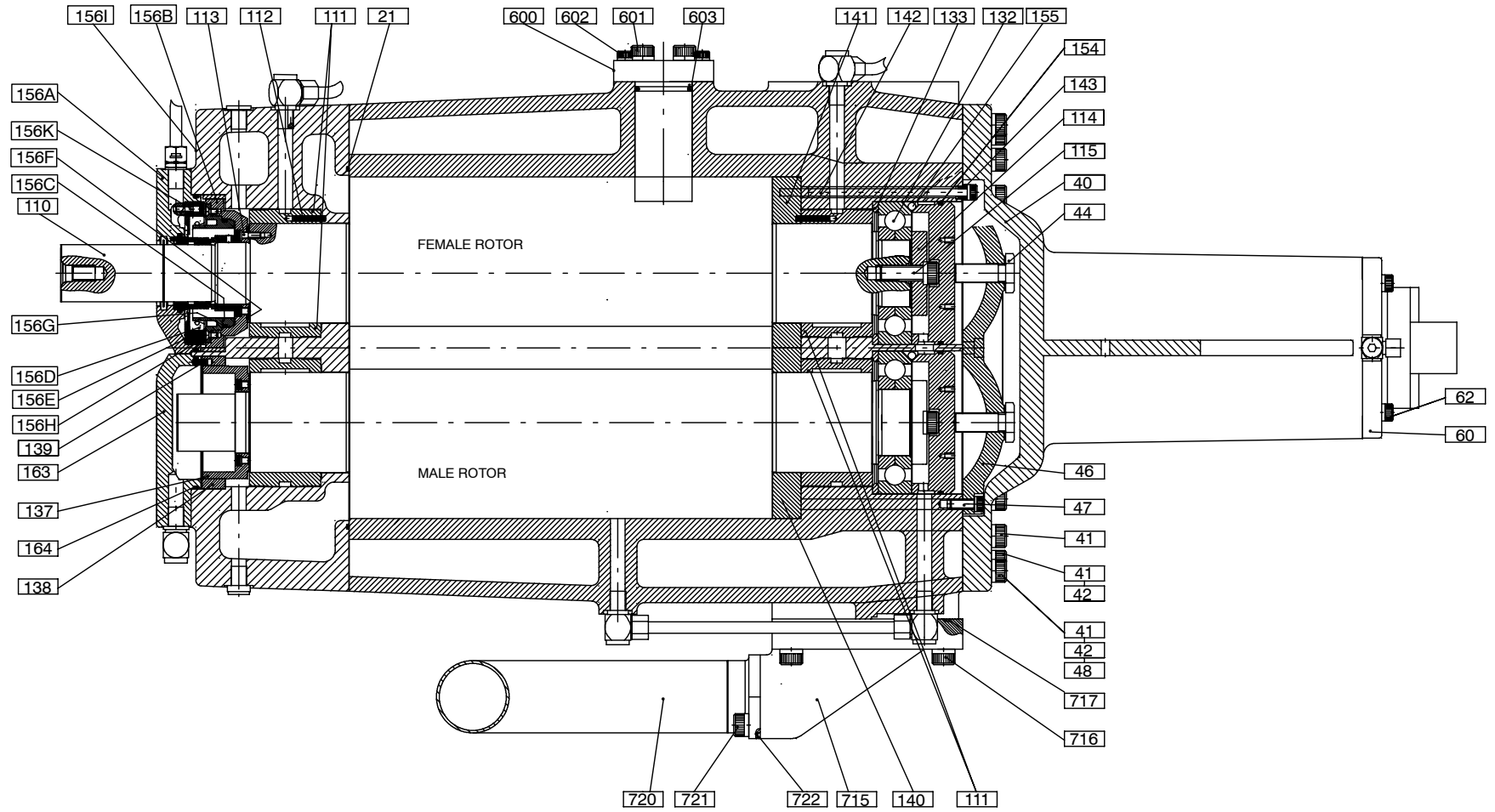
Pos	Designation	No	Part no
	<b>Signal transducers</b>		
751	Pressure transducer, PT1	1	1373-249
752	Pressure transducer, PT3	1	1373-271
753	Pressure transducer, PT4	1	1373-271
755	Stud coupling	2	1349-137
756	Stud elbow	1	1349-154
761	Temperature transmitter, TT6	1	1373-281
762	Temperature transmitter, TT7	1	1373-281
765	Gasket ring	2	1349-135
766	Reducer G1/2 - G1/4	1	1349-077

<b>S = L/D 1.7</b>	<b>M = Male drive</b>
<b>L = L/D 2.2</b>	<b>F = Female drive</b>



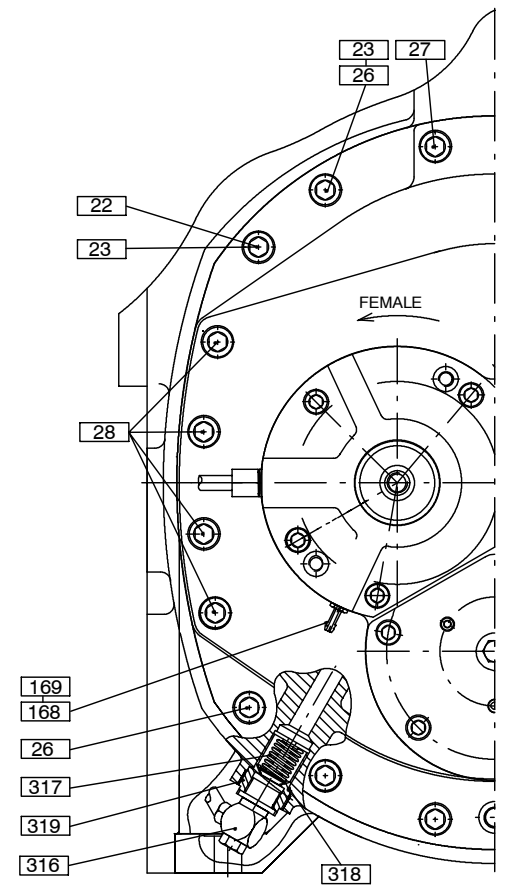
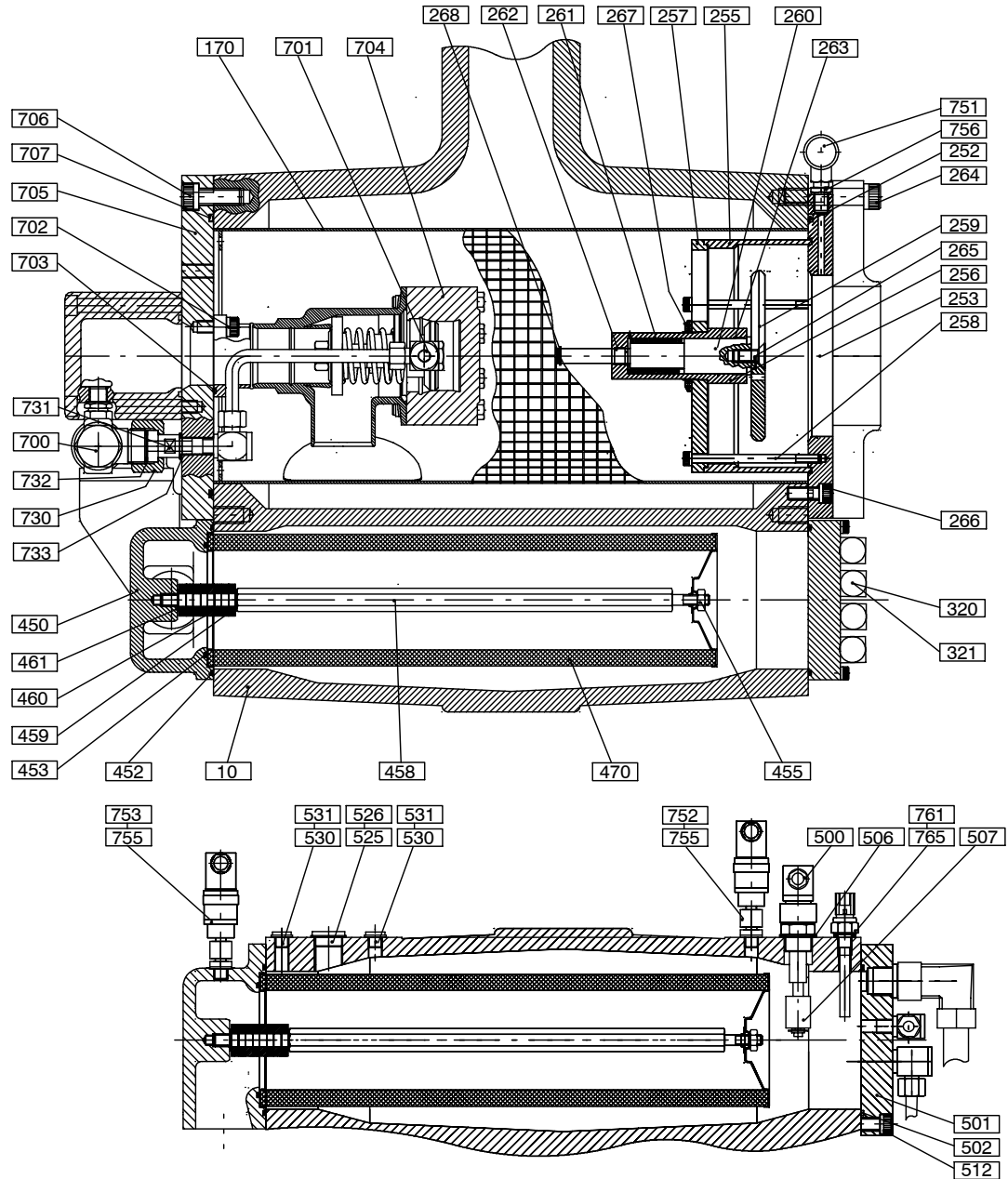
**SAB 202**

List of parts 0661-861



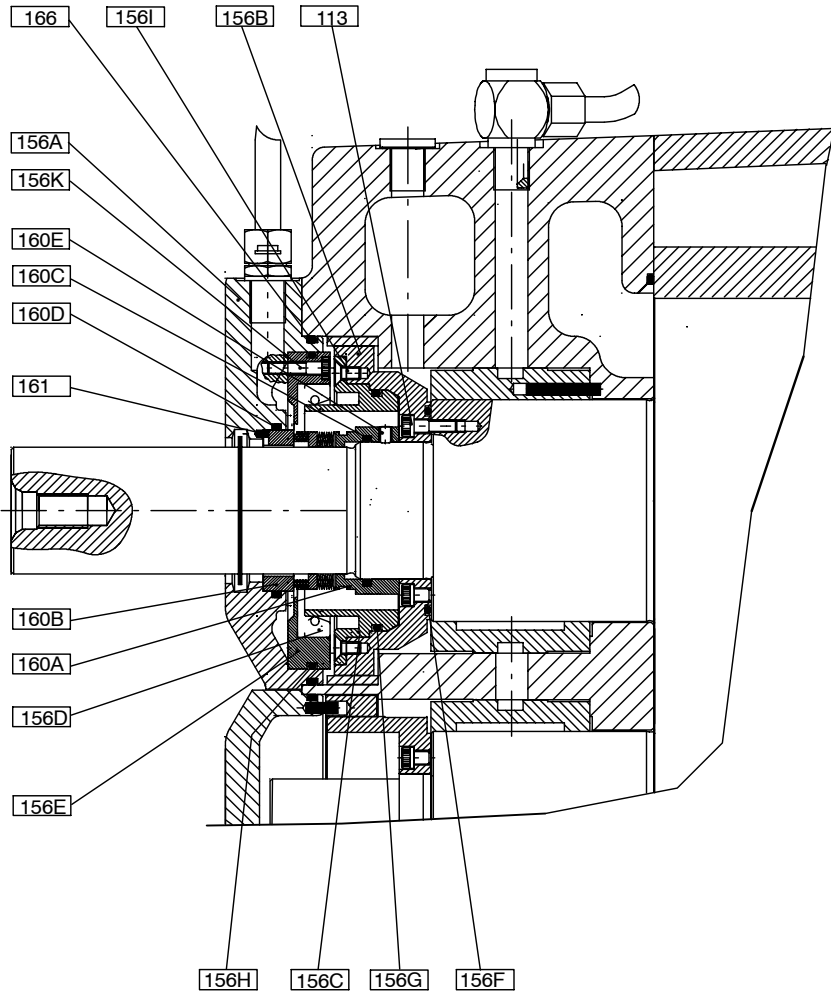
SAB 202

List of parts 0661-861

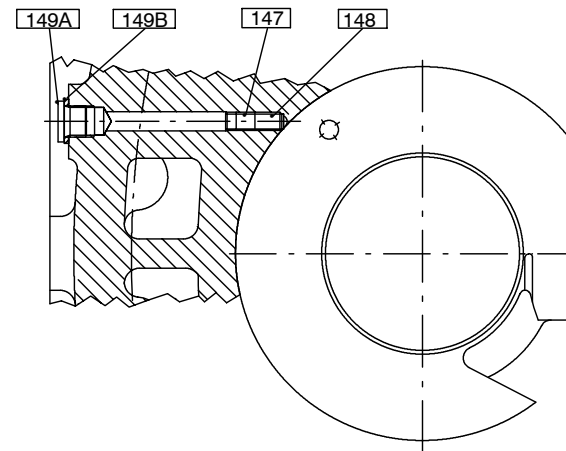
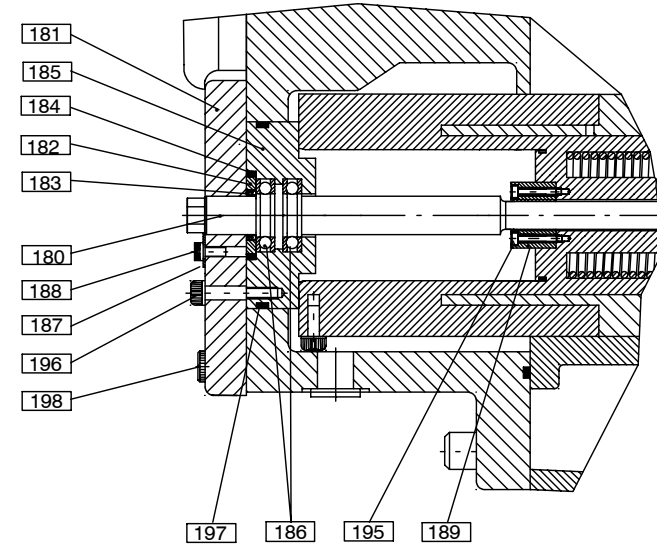


SAB 202

List of parts 0661-861



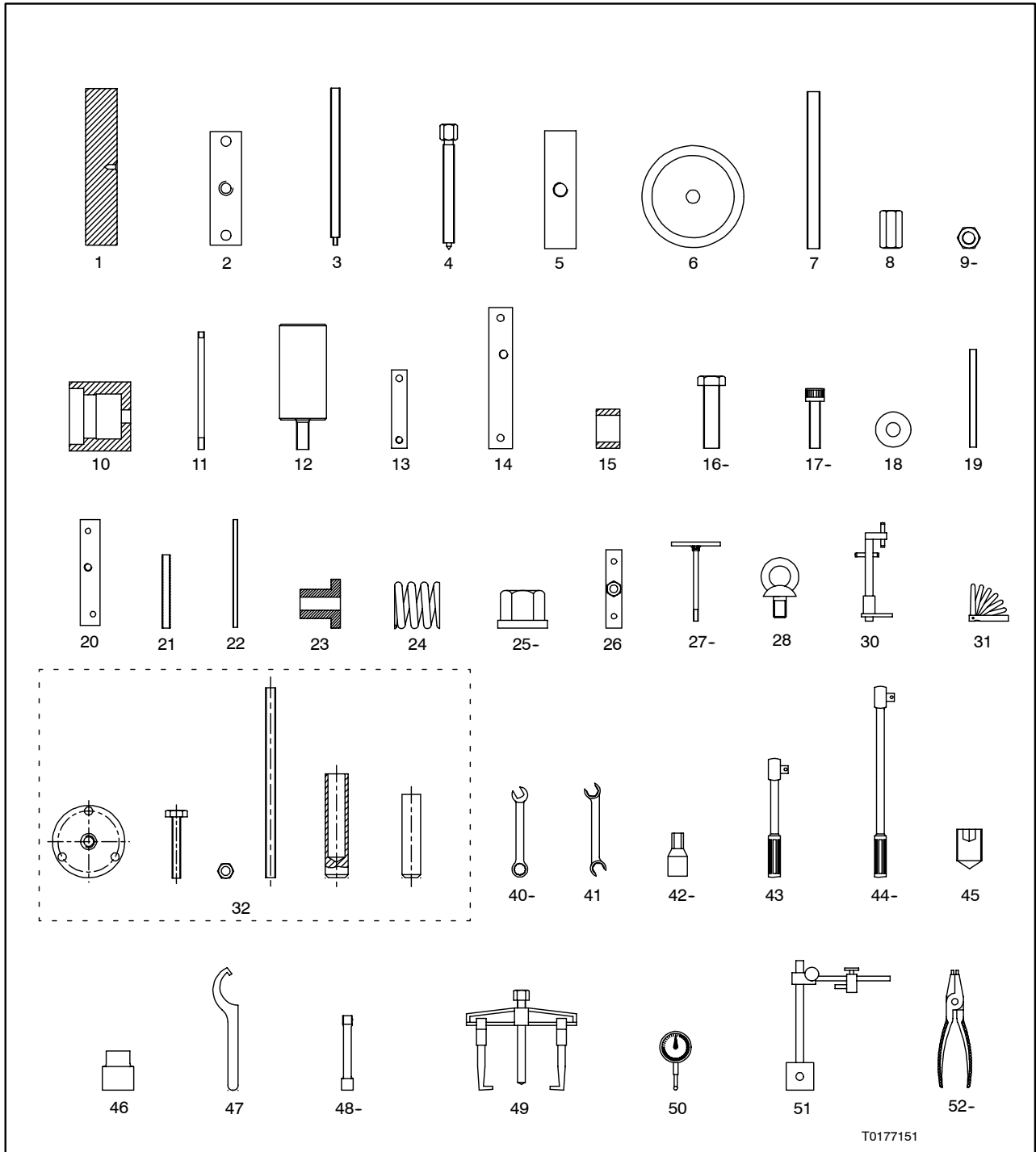
MAN. VI



**SAB 202**

List of parts 0661-861

# Tools for compressor SAB 202



**Line no. A401** = normal set 3083-184

**Line no. A402** = Extended set 3083-185

**Line no. B401** = Tools for aligning the coupling 3183-105

**Line no. B402** = Tools for shaft seal removal, oil pump 3083-160

Tools no.	Designation	Part no.	A401	A402	B401	B402
1	Thrust plate for puller 40 x 20 x 200	3083-173	1	1		
2	Puller for bearings 40 x 20 x 145	3083-172	1	1		
3	Threaded pins M12/M6 x 200	3083-171	2	2		
4	Threaded pin M14, Koko	1427-037	1	1		
5	Thrust plate for mounting the bearings 40 x 15 x 150	3083-181	1	1		
6	Washer for mounting the bearings dia. 130/17 x 15	3083-182	1	1		
7	Threaded pin M16 x 200	3083-180	1	1		
8	Long nut M16 x 50	1432-191	1	1		
9.1	Nut M16	1432-067	1	1		
9.2	Nuts M12	1432-065	2	2		
10	Mounting bushing for ball bearing, inner ring	3083-174	1	1		
11	Guide pins for suction- and discharge cover M16 x 300	3083-164	2	2		
12	Punch for locking the rotors	3083-183	1	1		
13	Plate for locking the rotors 40 x 15 x 200	3083-179	1	1		
14	Plate for dismounting the rotors 60 x 25 x 360	3083-177	1	1		
15	Bushing dia. 25/17 x 15	3083-178	2	2		
16.1	Cap screw M20 x 120	3083-176	1	1		
16.2	Cap screw M16 x 40	3083-175	1	1		
17.1	Socket cap screws M16 x 60	1413-436	2	2		
17.2	Socket cap screws M16 x 40	1413-432	2	2		
17.3	Socket cap screws M6 x 16	1413-340	2	2		
18	Washer dia 20/17 x 3	1436-001	1	1		
19	Threaded pin M16 x 250	3083-168	1	1		
20	Thrust plate 50 x 20 x 270	3083-167	1	1		
21	Pipe pieces dia. 25.9/21.3 x 187	3083-170	2	2		
22	Threaded pins M12 x 275	3083-169	2	2		
23	Gauge dia. 62/17 x 51.5	3083-166	1	1		
24	Spring dia. 50 x 9.5	2142-060	1	1		
25.1	Nuts with collar M12	1432-170	2	2		
25.2	Nut with collar M16	1432-171	1	1		
26	Plate with M12 nut 20 x 6 x 100	3083-163	1	1		
27-1	Socket cap screw key with handle 5 mm	1612-391	1	1		
27-2	Socket cap screw with handle M12 x 180	3083-165	1	1		
28	Eye-bol M12	1427-150	1			
30	Alignment device for coupling	3183-105			1	
31	Feeler gauge (incl in 3183-105)	1622-050			1	



Tools no.	Designation	Part no.	A401	A402	B401	B402
32	Tools for shaft seal removal, oil pump Consists of:	3083-160				1
	Puller for shaft seal, oil pump	3083-157				1
	Cap screw M10 x 75	1424-201				1
	Threaded pin M8 x 150	3083-156				3
	Nuts M8	1432-063				3
	Punch dia. 18 x 80	3083-158				1
	Punch dia. 22/16.5 x 100	3083-159				1
40.1	Combination spanner 19mm			1		
40.2	Combination spanner 24mm			1		
40.3	Combination spanner 30mm			1		
40.4	Combination spanner 36mm			1		
41	Open end spanner 19/22mm			1		
42.2	Hexagon bit adaptor 1/2" - 5mm			1		
42.3	Hexagon bit adaptor 1/2" - 6mm			1		
42.4	Hexagon bit adaptor 1/2" - 10mm			1		
42.5	Hexagon bit adaptor 1/2" - 14mm			1		
42.6	Hexagon bit adaptor 1/2" - 17mm			1		
43	Ratchet spanner			1		
44.1	Torque wrench 10-60 Nm			1		
44.2	Torque wrench 50-300 Nm			1		
45	Pointed screw M16 x 20	1413-262	2	2		
46	Box spanner insert 1/2" - 36mm			1		
47	Hook spanner KM8			1		
48.1	Extension (long)			1		
48.2	Extension (short)			1		
49	Puller, kukko 10-20			1		
50	Dial indicator			1		
51	Magnetic fixture for dial indicator			1		
52.1	Retaining pliers J2			1		
52.2	Retaining pliers A1			1		